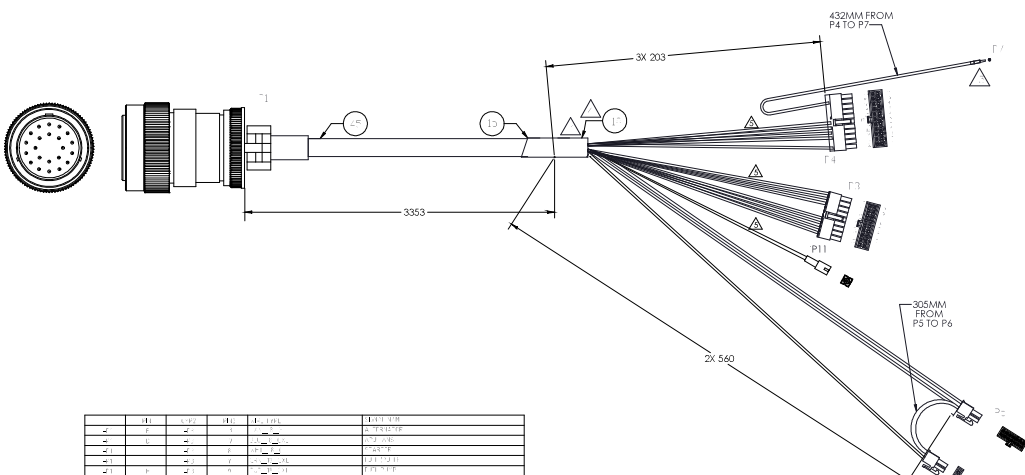


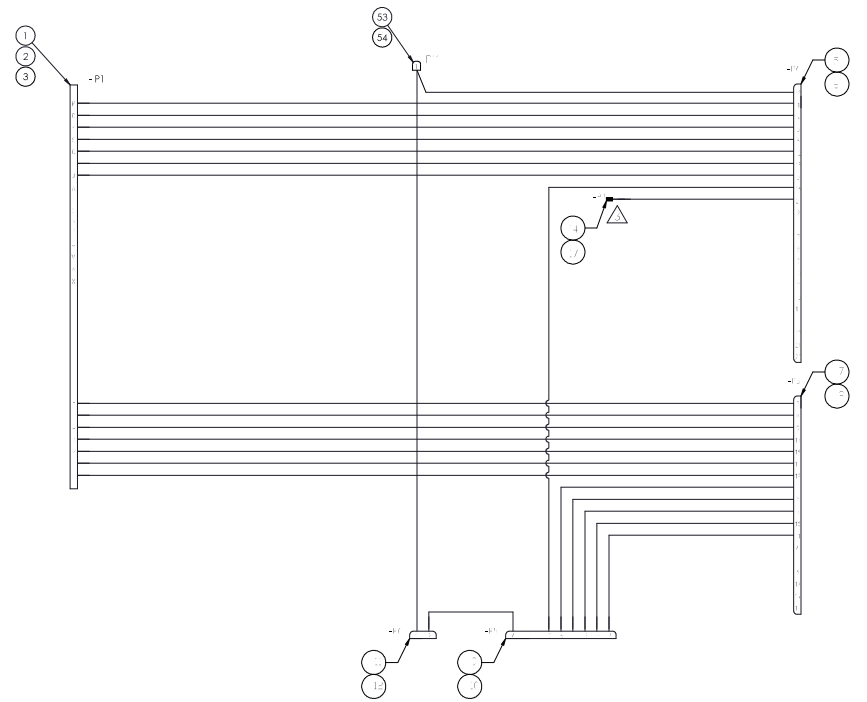
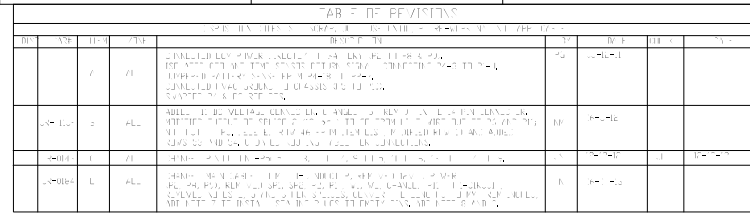
NOTES: UNLESS OTHERWISE SPECIFIED:

1. USE ALL HEAT SHRINK TUBING & INSULATION ALM END OF SHEATH TO DISCRETE WIRING.
2. INSTALL HEAT SHRINK JOSH CANE, LR INSULATION AND W.R.L.
3. RUN DISCRETE WIRING AS NECESSARY USING BLACK DAPEL TUBING.
4. WIRE TO TERMINAL BLOCKS FROM END OF CONNECTORS.
5. TERMINAL WIRE ENDING SHALL BE 15MM.
6. INSTALL SEALING PLUGS IN FINE P-ACCESS POINTS.
7. DIMENSIONS IN MILLIMETERS.
8. DIMENSIONS IN MILLIMETERS.
9. 18AWG TX WIRE USED IN THIS DIMENSION MUST HAVE .457-3.0MM NOMINAL TD.

ITEM	TAG	QTY	MFG	CATALOG	DESC1	DESC2	DESC3
1	-P1	1	DEUTSCH LADD	HD36-24-23PH409	CONN PLUG HOUSING	SHREVE 24 23 P16	16 CIRCUIT
2	-P1	14	DEUTSCH LADD	D465-205-14141	CRIMP CONTACT	FEMALE	18-22AWG
3	-P1	5	DEUTSCH LADD	11407	SEALING PLUG	#12/16	
4	-P4	1	MOLEX	39-01-2220	CONN RECEPTACLE HOUSING	MALE/RT	22 CIRCUIT
5	-P4	10	MOLEX	39-09-0029	CRIMP CONTACT	FEMALE	14-20 AWG
6	-P3	1	MOLEX	39-01-2180	CONN RECEPTACLE HOUSING	MALE/RT	18 CIRCUIT
7	-P3	12	MOLEX	39-09-0029	CRIMP CONTACT	FEMALE	14-20 AWG
8	-P3	1	MOLEX	39-01-2180	CONN RECEPTACLE HOUSING	MALE/RT	14 CIRCUIT
9	-P3	1	MOLEX	39-09-0029	CRIMP CONTACT	FEMALE	14-20 AWG
10	-P5	1	MOLEX	39-01-2020	CONN RECEPTACLE HOUSING	MALE/RT	2 CIRCUIT
11	-P5	1	MOLEX	39-09-0029	CRIMP CONTACT	FEMALE	14-20 AWG
12	-P5	2	MOLEX	39-09-0029	CRIMP CONTACT	FEMALE	14-20 AWG
13	-H13	1	THOMAS & BETTS	TV18-4MBL	CRIMP CONTACT	MALE BULLET	22-18AWG RED
14	-H13	1	TBD	TBD	HEAT SHRINK TUBING	BLACK	
15	-H13	1	TBD	TBD	HEAT SHRINK TUBING	CLEAR	
16	-H13	1	TBD	TBD	CABLE TIE	BLACK	
17	-W2	1	TBD	TBD	WIRE TYPE GXL	18 AWG STRANDED	RED
18	-W27.1	-	TBD	TBD	WIRE TYPE GXL	18 AWG STRANDED	ORANGE/BLACK
19	-W27.2	-	TBD	TBD	WIRE TYPE GXL	18 AWG STRANDED	YELLOW
20	-W27.3	-	TBD	TBD	WIRE TYPE GXL	18 AWG STRANDED	PINK
21	-W27.4	-	TBD	TBD	WIRE TYPE GXL	18 AWG STRANDED	BROWN/WHITE
22	-W27.5	-	TBD	TBD	WIRE TYPE GXL	18 AWG STRANDED	ORANGE
23	-W27.6	-	TBD	TBD	WIRE TYPE GXL	18 AWG STRANDED	BLUE/WHITE
24	-H11	432MM	TBD	TBD	WIRE TYPE GXL	18 AWG STRANDED	BLACK/WHITE
25	-W27.7	-	TBD	TBD	WIRE TYPE GXL	18 AWG STRANDED	GREEN
26	-W27.8	-	TBD	TBD	WIRE TYPE GXL	18 AWG STRANDED	WHITE
27	-W27.9	-	TBD	TBD	WIRE TYPE GXL	18 AWG STRANDED	PURPLE
28	-W27.10	-	TBD	TBD	WIRE TYPE GXL	18 AWG STRANDED	TAN
29	-W27.11	-	TBD	TBD	WIRE TYPE GXL	18 AWG STRANDED	GRAY
30	-W27.12	-	TBD	TBD	WIRE TYPE GXL	18 AWG STRANDED	BLUE
31	-W27.13	-	TBD	TBD	WIRE TYPE GXL	18 AWG STRANDED	GREEN/WHITE
32	-W27.14	-	TBD	TBD	WIRE TYPE GXL	18 AWG STRANDED	RED/PURPLE
33	-W27.15	-	TBD	TBD	WIRE TYPE GXL	18 AWG STRANDED	PINK/PURPLE
34	-W27.16	-	TBD	TBD	WIRE TYPE GXL	18 AWG STRANDED	YELLOW/PURPLE
35	-W27.17	-	TBD	TBD	WIRE TYPE GXL	18 AWG STRANDED	RED/WHITE
36	-W27.18	-	TBD	TBD	WIRE TYPE GXL	18 AWG STRANDED	LIGHT GREEN/PURPLE
37	-W27.19	-	TBD	TBD	WIRE TYPE GXL	18 AWG STRANDED	DARK GREEN/PURPLE
38	-W27.20	-	TBD	TBD	WIRE TYPE GXL	18 AWG STRANDED	DARK BLUE/PURPLE
39	-W27.21	-	TBD	TBD	WIRE TYPE GXL	18 AWG STRANDED	GRAY/PURPLE
40	-W27.22	-	TBD	TBD	WIRE TYPE GXL	18 AWG STRANDED	SOCCOR OR EQV
41	-W27.23	-	TBD	TBD	WIRE TYPE GXL	18 AWG STRANDED	BLACK/BROWN
42	-W27.24	-	TBD	TBD	WIRE TYPE GXL	18 AWG STRANDED	BLACK/BROWN
43	-W27.25	-	TBD	TBD	WIRE TYPE GXL	18 AWG STRANDED	BLACK/BROWN
44	-W27.26	-	TBD	TBD	WIRE TYPE GXL	18 AWG STRANDED	BLACK/BROWN
45	-W27.27	-	TBD	TBD	WIRE TYPE GXL	18 AWG STRANDED	BLACK/BROWN
46	-W27.28	-	TBD	TBD	WIRE TYPE GXL	18 AWG STRANDED	BLACK/BROWN
47	-W27.29	-	TBD	TBD	WIRE TYPE GXL	18 AWG STRANDED	BLACK/BROWN
48	-W27.30	-	TBD	TBD	WIRE TYPE GXL	18 AWG STRANDED	BLACK/BROWN
49	-P11	1	MOLEX	05-04-2010	CONN RECEPTACLE HOUSING	MALE SERES	16 CIRCUIT
50	-P11	2	MOLEX	05-04-2003	CRIMP TERMINAL	FEMALE	14-18 AWG



ITEM	QTY	DESCRIPTION	REVISION
1	1	CONN PLUG HOUSING	1
2	14	CRIMP CONTACT	1
3	5	SEALING PLUG	1
4	1	CONN RECEPTACLE HOUSING	1
5	10	CRIMP CONTACT	1
6	1	CONN RECEPTACLE HOUSING	1
7	12	CRIMP CONTACT	1
8	1	CONN RECEPTACLE HOUSING	1
9	1	CRIMP CONTACT	1
10	1	CONN RECEPTACLE HOUSING	1
11	1	CRIMP CONTACT	1
12	2	CRIMP CONTACT	1
13	1	CRIMP CONTACT	1
14	1	CRIMP CONTACT	1
15	1	HEAT SHRINK TUBING	1
16	1	HEAT SHRINK TUBING	1
17	1	CABLE TIE	1
18	1	WIRE TYPE GXL	1
19	1	WIRE TYPE GXL	1
20	1	WIRE TYPE GXL	1
21	1	WIRE TYPE GXL	1
22	1	WIRE TYPE GXL	1
23	1	WIRE TYPE GXL	1
24	1	WIRE TYPE GXL	1
25	1	WIRE TYPE GXL	1
26	1	WIRE TYPE GXL	1
27	1	WIRE TYPE GXL	1
28	1	WIRE TYPE GXL	1
29	1	WIRE TYPE GXL	1
30	1	WIRE TYPE GXL	1
31	1	WIRE TYPE GXL	1
32	1	WIRE TYPE GXL	1
33	1	WIRE TYPE GXL	1
34	1	WIRE TYPE GXL	1
35	1	WIRE TYPE GXL	1
36	1	WIRE TYPE GXL	1
37	1	WIRE TYPE GXL	1
38	1	WIRE TYPE GXL	1
39	1	WIRE TYPE GXL	1
40	1	WIRE TYPE GXL	1
41	1	WIRE TYPE GXL	1
42	1	WIRE TYPE GXL	1
43	1	WIRE TYPE GXL	1
44	1	WIRE TYPE GXL	1
45	1	WIRE TYPE GXL	1
46	1	WIRE TYPE GXL	1
47	1	WIRE TYPE GXL	1
48	1	WIRE TYPE GXL	1
49	1	CONN RECEPTACLE HOUSING	1
50	2	CRIMP TERMINAL	1



PROPRIETARY AND CONFIDENTIAL
 THE INFORMATION CONTAINED IN THIS DRAWING IS THE SOLE PROPERTY OF FALLBROOK TECHNOLOGIES, INC. AND IS NOT TO BE REPRODUCED OR TRANSMITTED IN ANY FORM OR BY ANY MEANS, ELECTRONIC OR MECHANICAL, INCLUDING PHOTOCOPYING, RECORDING, OR BY ANY INFORMATION STORAGE AND RETRIEVAL SYSTEM, WITHOUT THE WRITTEN PERMISSION OF FALLBROOK TECHNOLOGIES, INC.

	DRAWN BY: [] CHECKED BY: [] DATE: [] SCALE: [] SHEET NO: [] TOTAL SHEETS: []	TITLE: [] PART NO: [] REV: []	FALLBROOK TECHNOLOGIES 3001 W. Wilshire Ave. Ste. 400 Dallas, Texas 75219
	PROJECT: [] DRAWING NO: [] SHEET NO: []	PART NO: [] REV: []	TITLE: [] PART NO: [] REV: []