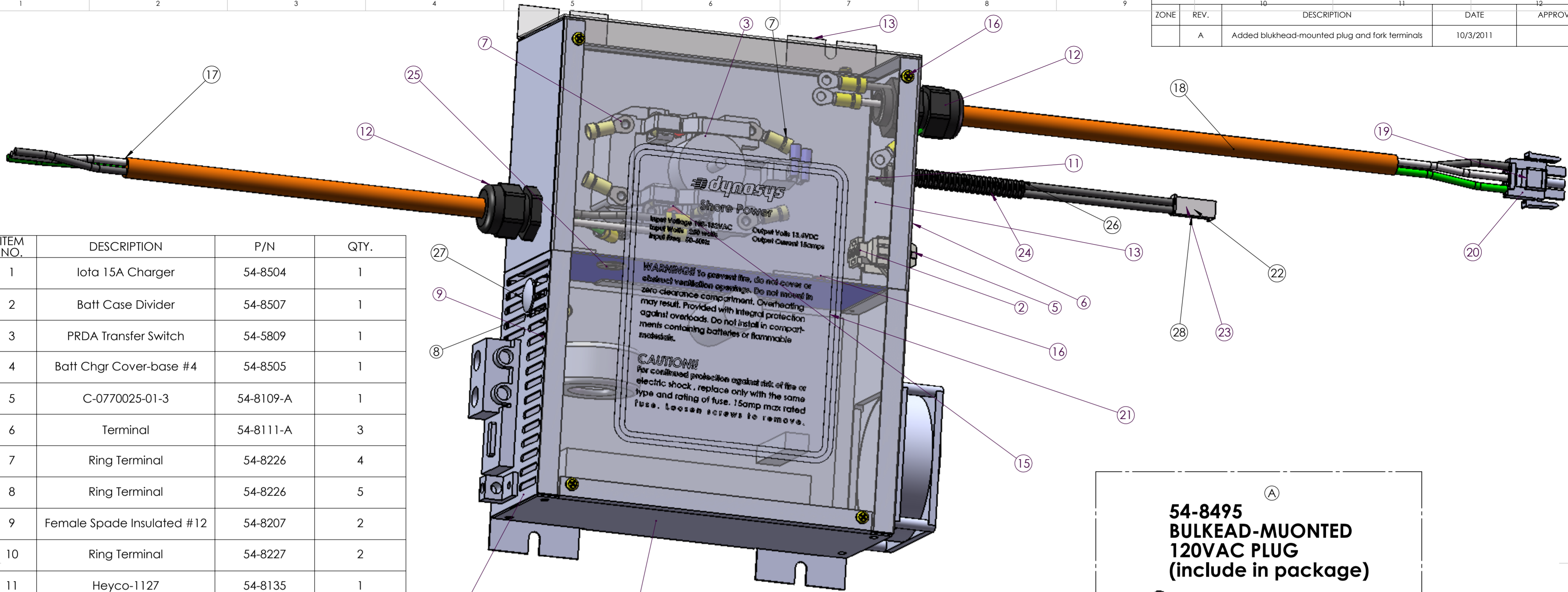
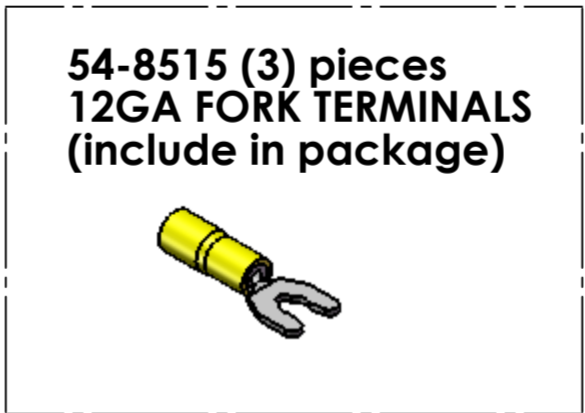
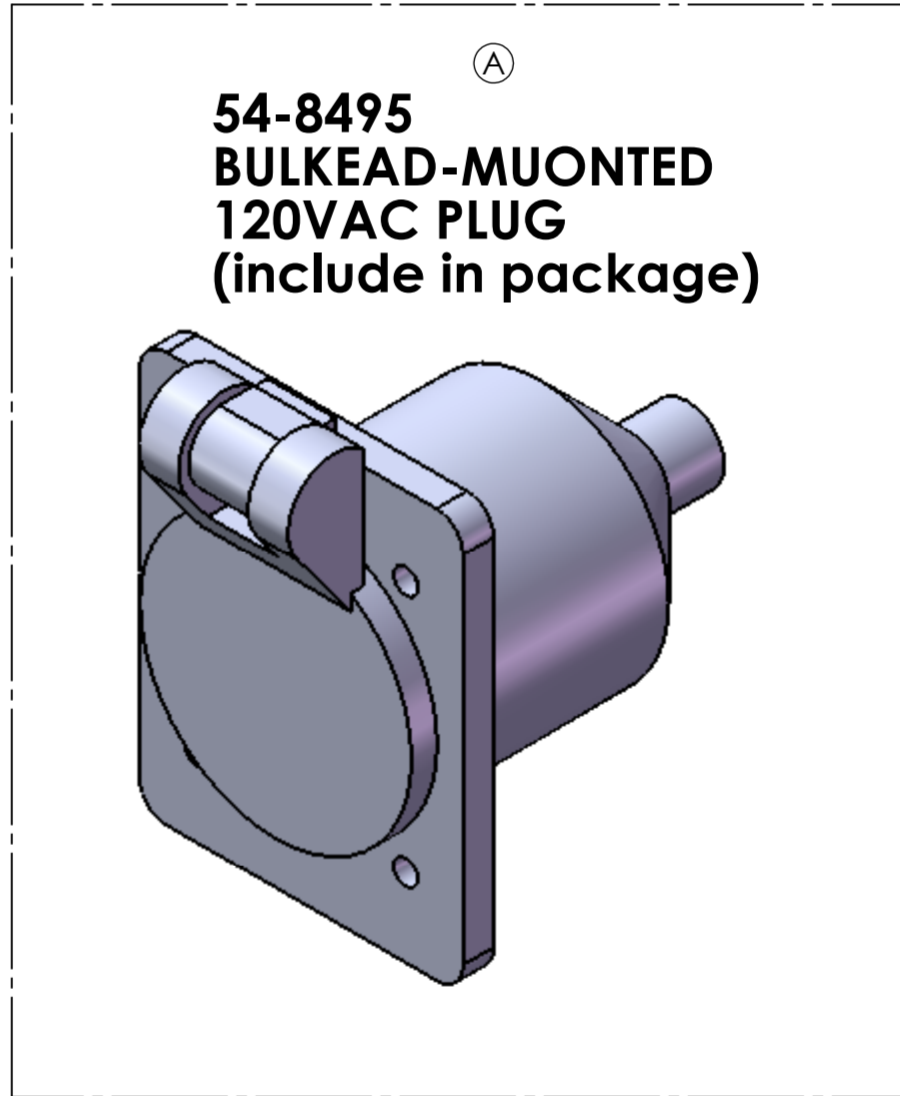


REVISIONS		DATE	APPROVED
ZONE	REV.	DESCRIPTION	
	A	Added bulthead-mounted plug and fork terminals	10/3/2011



ITEM NO.	DESCRIPTION	P/N	QTY.
1	Iota 15A Charger	54-8504	1
2	Batt Case Divider	54-8507	1
3	PRDA Transfer Switch	54-5809	1
4	Batt Chgr Cover-base #4	54-8505	1
5	C-0770025-01-3	54-8109-A	1
6	Terminal	54-8111-A	3
7	Ring Terminal	54-8226	4
8	Ring Terminal	54-8226	5
9	Female Spade Insulated #12	54-8207	2
10	Ring Terminal	54-8227	2
11	Heyco-1127	54-8135	1
12	Cord Grip	54-8179	2
13	Batt Chgr Top #3	54-8506	1
14	#10-32 KEPS Nut	54-8332	2
15	8-32 KEPS Nut	54-8359	2
16	#6 x .25" Type FH self-tap screw	54-8360	6
17	12-3AWG Cable	54-8514	10ft
18	12-3AWG Cable, Orange	54-8514	5ft
19	Mate'n'Lok Connector	54-8108-A	1
20	Terminal	54-8110-A	3
21	Shorepower Label	54-8511	1
22	2-pin connector	54-8260	1
23	Terminal	54-8259	2
24	.25" Black Loom	54-8027	5
25	Grommet - Heyco G1052	54-8554	1
27	2497 Heyco	54-8508	1
28	Shorepower Trigger Cable 18AWG lamp cord - black	54-8513	1

**Re-use 8pcs from original assembly



UNLESS OTHERWISE SPECIFIED: DIMENSIONS ARE IN MILLIMETERS SURFACE FINISH: 3.0 TOLERANCES: LINEAR: X, +0.5, XX±0.2, XXX±0.1 ANGULAR: ±1°		FINISH:	DEBUR AND BREAK SHARP EDGES	DO NOT SCALE DRAWING	REVISION A
DRAWN: TRN	SIGNATURE:	DATE: 110810	TITLE: Shore Ass'y BOM		
CHK'D:	MATERIAL:		DWG NO. 54-8919-A	A2	
APP'VD:	WEIGHT:		SCALE: 1:5	SHEET 1 OF 1	
MFG:	THE INFORMATION CONTAINED IN THIS DRAWING IS THE SOLE PROPERTY OF HODYON LP. ANY REPRODUCTION IN PART OR AS A WHOLE WITHOUT THE WRITTEN PERMISSION OF HODYON LP IS PROHIBITED.				
Q.A.					